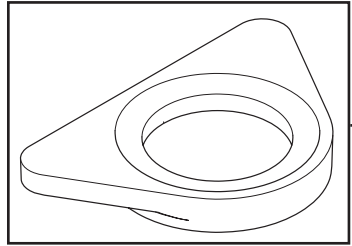
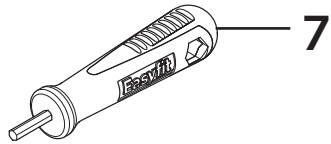


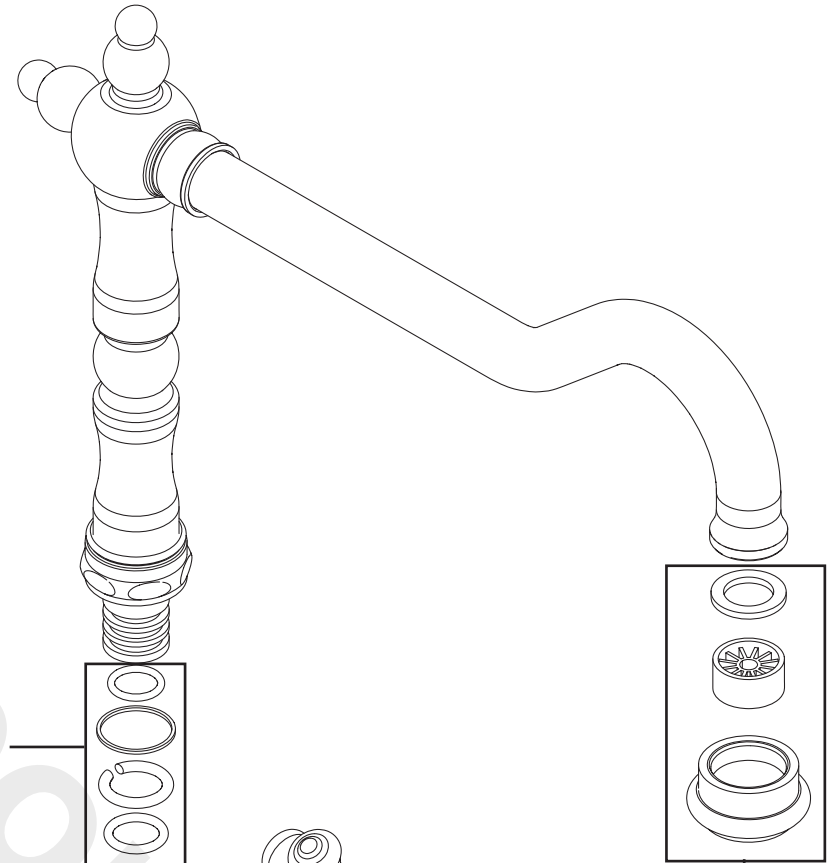
**Product Code:** K SNK EF RANGE  
**Revision:** D3



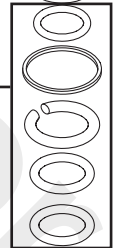
8



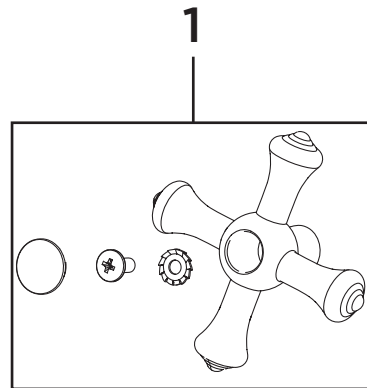
7



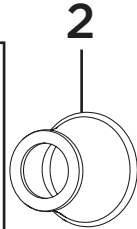
5



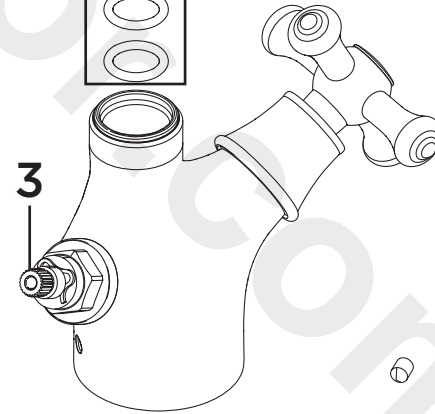
4



1



2



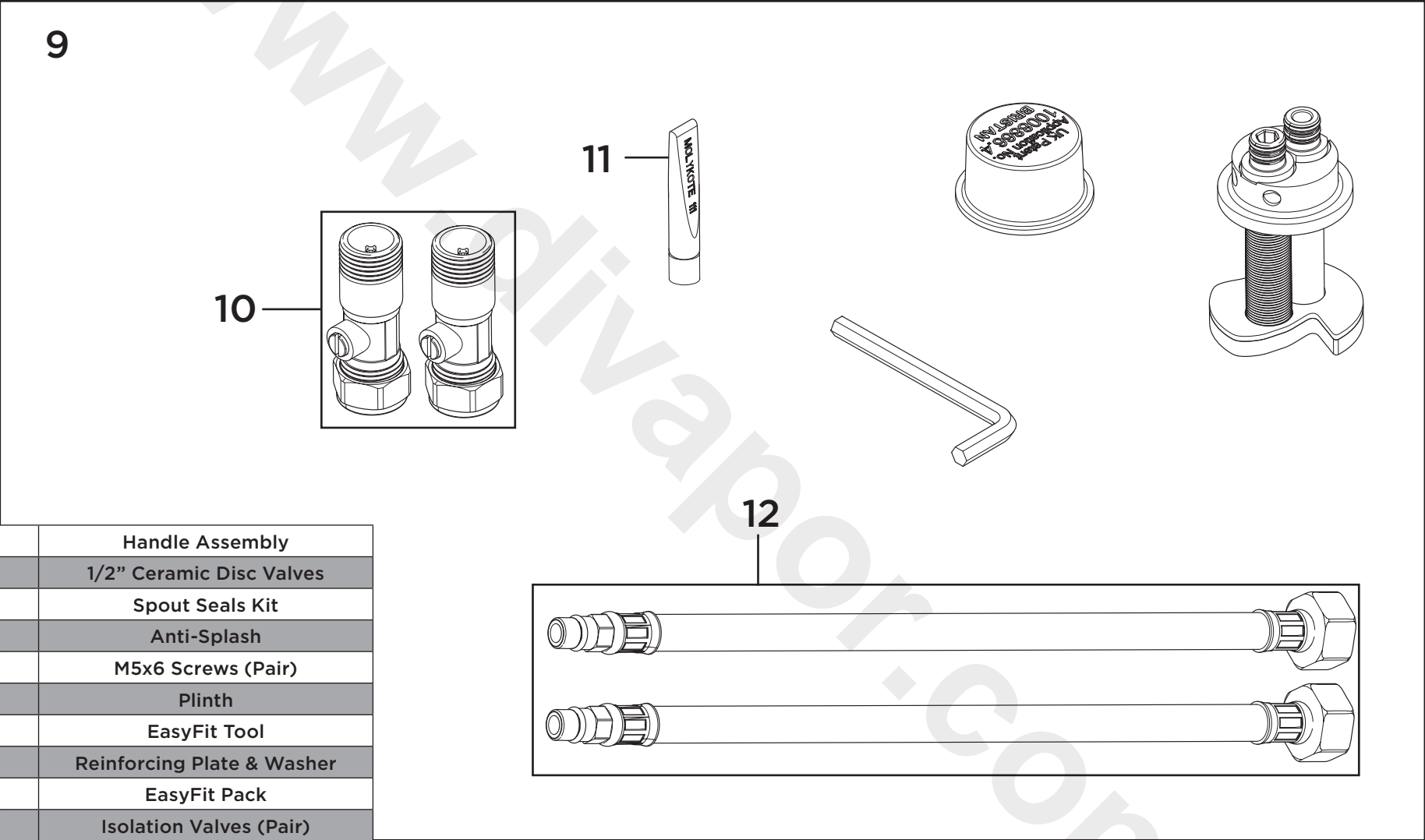
3



6

1	Handle Assembly
2	Shroud
3	1/2" Compression Valves (Pair)
4	Spout Seals Kit
5	Anti-Splash
6	M5x8 Screws (Pair)
7	EasyFit Tool
8	Reinforcing Plate & Washer
9	EasyFit Pack
10	Isolation Valves (Pair)
11	Molykote Grease
12	1/2" BSP Flexible Tails (Pair)

**Product Code:** K SNK EF RANGE  
**Revision:** D3



1	Handle Assembly
2	1/2" Ceramic Disc Valves
3	Spout Seals Kit
4	Anti-Splash
5	M5x6 Screws (Pair)
6	Plinth
7	EasyFit Tool
8	Reinforcing Plate & Washer
9	EasyFit Pack
10	Isolation Valves (Pair)
11	Molykote Grease
12	1/2" BSP Flexible Tails (Pair)